

# Coliseum CM1260

## Installation Series Floor Monitor

- Custom-Designed Drivers
- Hi-Slope Passive Crossovers
- CTL™ Driver Protection
- Curved Metal Grille
- Two-Part Epoxy Finish
- 2-Way Trapezoidal Configuration
- Comprehensive Warranty



CM1260 Coliseum Series

The Coliseum series of cabinets are designed for installation applications in small to mid-sized venues. The 150 Watt CM1260 two-way floor monitor contains a single 12" speaker and an HF horn.

The enclosure incorporates a 1" mylar, high frequency driver firing through a 40° x 60° dispersion waveguide horn. The cabinet incorporates a custom-designed 12" woofer which provides solid, punchy bass with low distortion levels at very respectable SPL's. Time-tested passive crossover networks (18 dB per octave) ensure sonic accuracy and CTL™ protection circuitry guards against damage to the high frequency drivers. The CM1260 combines solid performance with outstanding reliability.

The cabinet features inset plastic input-jack plates which contain 1/4" TRS connectors. The enclosure is painted with a white two-part epoxy and incorporates a curved, anti-resonance speaker grille constructed of perforated 16 gauge steel. Both the cabinet and grille can be easily refinished and features a grille clip attachment system for easy removal and recovering. Painstaking attention to details of design is evidenced by features such as the safety screw hidden under the embossed Yorkville logo which ensures that the grille does not inadvertently come loose.

The Coliseum series cabinets are constructed of highly rigid MDF and feature plywood baffles and braces. The design of the CM1260 is extremely versatile and allows the unit to be oriented at several angles for optimum sound placement.



Jack Plate Detail

Yorkville's famous two year, no-fault transferable warranty\* covers the Coliseum cabinets. If anything goes wrong within two years, we'll fix it for free... even if you break it!

*\* Warranty valid in USA and Canada Only*

United States

**Yorkville Sound Inc.**  
4625 Witmer Industrial Estate  
Niagara Falls, NY 14305  
Tel: (716) 297-2920  
Fax: (716) 297-3689



Canada

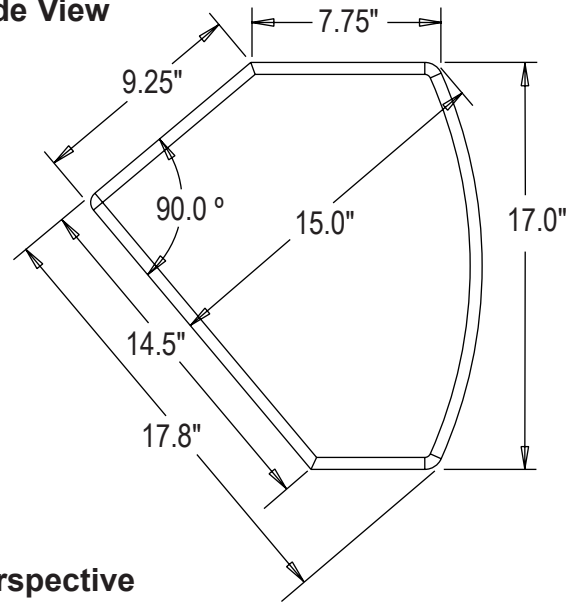
**Yorkville Sound**  
550 Granite Court  
Pickering, Ontario L1W 3Y8  
Tel: (905) 837-8481  
Fax: (905) 839-5776

# Coliseum CM1260

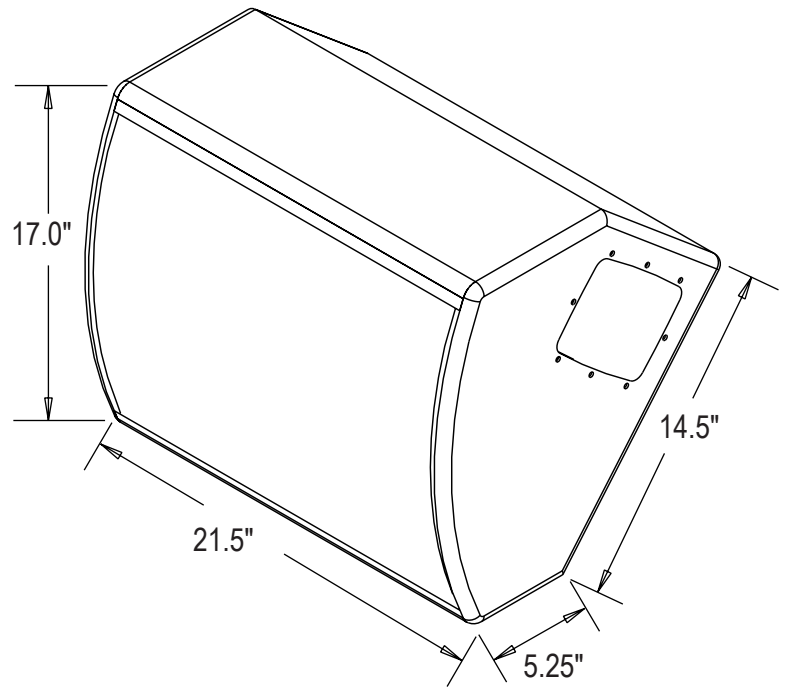
## CM1260

- System Type:** 2-Way, Wedge Monitor with Curved Metal Grille
- Drivers:** HF: 1"  
LF: 12"
- PGM Power / Imp:** 150 W / 8Ω
- Sensitivity (1W @1M):** 100 dB
- Appx. Max. SPL:** 121 dB
- Overall Freq. Response:** 80 – 16,000 Hz
- HF Horn:** Waveguide
- HF Horn Coverage Angle:** 40° h x 60° v
- Amp. Requirements:** 150 W into 8Ω
- Crossover Points:** ~4000 Hz
- Driver Protection:** CTL™ (current to light)
- Inputs:** 2 x 1/4" TRS
- Cabinet Construction:** 3/4" MDF with Plywood Baffles
- Grille Construction:** Curved 16 ga. Perforated Steel
- Grille & Cabinet Finish:** 2 Part White Epoxy
- Other Hardware:** Quick-Clip Grille Attachment System
- Dimensions:** 15.0" x 21.5" x 17.8"
- (H x W x D)** 38.0 x 55.0 x 45.2 cm
- Weight:** 37 lbs / 17 kg

Side View



Perspective



Frequency Response & Impedance

