

TX4 • TX Series PA System

- 15" LF, 2" HF (2-Way, Bi-Amped)
- High Sensitivity, High SPL
- Dual Speakon™ Inputs
- Processor Controlled
- Spatter-Paint Finish
- 13-Ply Baltic Birch Construction
- ATM Flyware™ Equipped
- Comprehensive Warranty



Cabinet

The TX4 offers excellent vocal clarity and bass response in a compact trapezoidal format. The 4" voice coil of the proprietary B&C 15" woofer provides increased output to keep pace with the efficient 2" high frequency driver, while ensuring safe operation at high sound pressure levels. The carefully chosen crossover point matches the directivity characteristics of the woofer to the 60°x40° wave-guide horn, yielding smooth horizontal coverage and a seamless transition in the all-important midband. Advanced woofer cone technology using an engineered mixture of cloth to paper minimizes unwanted resonances above the crossover point.

Flyware

All trapezoidal TX-Series enclosures incorporate the new AMTS series of internal brace flying hardware developed by ATM Fly-Ware™. The TX4 is equipped with internal braces (top and bottom) that incorporate a recessed 3" long flytrack as well as a 3/8" threaded hole. This unique combination enables the application of either track fittings or eyebolts for easy, flexible and safe enclosure suspension. A recessed metal stand-mount adapter is also provided on the bottom of the cabinet.

Engineering

Our engineering team has a great deal of experience with the design of cabinets and processors. Working as a closely knit team, the engineers designed the TX series as a system, not merely as separate components that can be used together. This ensures that the cabinets and processors function synergistically for the best possible sound, convenience and value.

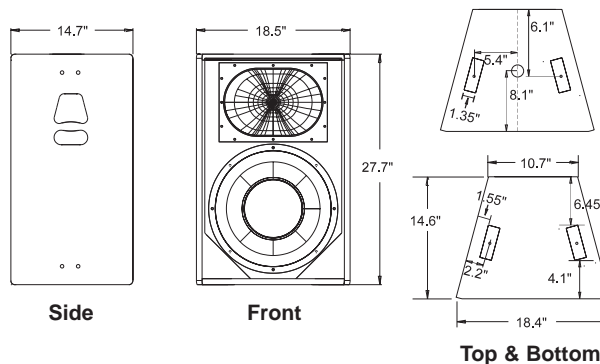
Processor

The TX4P processors are specifically designed for use with TX4 cabinets and perform a variety of functions including crossover, equalization, speaker-protection and hum-rejection. The units process the audio signal before it reaches the power amplifier, with separate

amp channels provided for each driver within the cabinet. The cabinets themselves *do* contain internal crossovers, however, their function is primarily to provide protection in case of miswiring. To ensure optimum settings and ease of use, processor crossover points are fixed at factory-optimized levels, however, gain controls are provided to allow adjustments of +/-3dB on the HF & LF and +/-6dB on the Subwoofer.

The TX processors are self-calibrating (a simple 30 second procedure). Automatic amplifier gain detection allows for effective band level-setting without the use of specialized equipment. The processor protects the speakers by activating compressors if necessary. Additionally it provides hum rejection through the use of balanced inputs and via a remote reference feature of the output stage when it is used with unbalanced amplifiers.

The TX4P processor configuration provides stereo three-way mixes with individual subwoofer outputs in a single rack space. Controls include trim pots and calibrate & mute switches while function-overview is provided by power, clip, limit, calibrate, mode and mute LEDs, all incorporated into a compact, practical package.



United States

Yorkville Sound Inc.
4625 Witmer Industrial Estate
Niagara Falls, NY 14305
Tel: (716) 297-2920
Fax: (716) 297-3689



Canada

Yorkville Sound
550 Granite Court
Pickering, Ontario L1W 3Y8
Tel: (905) 837-8481
Fax: (905) 839-5776

SPECIFICATIONS - TX4

- System Type:** 2-Way, Trapezoid Cabinet
- Drivers:** HF: 2" B&C DE750
LF: 15" Custom B&C
- PGM Power / Imp:** HF: 120 W / 8Ω
LF: 500 W / 8Ω
- Sensitivity (1W @1M):** HF: 110 dB
LF: 99 dB
- Maximum Output:** ~ 127 dB
- Overall Freq. Response:** 50 – 19,000 Hz
- Coverage Angle:** 60° Horizontal
40° Vertical
- Inputs:** 1 – Speakon™ 4
- Parallel Outputs:** 1 – Speakon™ 4
- Protection:** Electronic Limiting
(excursion & thermal with TX processor)
- Construction:** Passive Hi-Pass Filter on Horn
13-Ply, 13mm Baltic Birch Plywood
Screw Fastened, Braced Butt Joints
- Finish:** Black Spatter Paint
Metal Speaker Grille
- Rigging:** ATM Flyware™ – Top & Bottom
(3" Flytrack & 3/8" Threaded Hole) x 2
- Other Hardware:** Recessed Metal Stand-Mount Adapter
- Dimensions:** 28.2" x 18.3" x 14.6" x 10.8"
- (H x W x D x Back W)** 71.6 x 46.5 x 37.1 x 27.4 cm
- Exterior Volume:** 3.09 ft³ / 0.087 m³
- Weight:** 99 lbs / 45 kg
- Amp. Requirements:** HF ~ 200 W into 8Ω
LF ~ 600 W into 8Ω
- Processor:** TX4P
- Controls (Switches):** Calibrate, Mute, Mode
- Controls (Pots):** Trim
- LED Indicators:** Power, Clip, Limit, Mute, Mode
- Type:** Stereo, 2 or 3 Way
- Inputs:** XLR Female (x 2), 20KΩ
- Max Input:** +18 dBu, 6 Vrms
- Outputs:** XLR Male (x 6), 600 Ω min.
- Max Output Level:** +12 dBu, 3 Vrms
- Sense Inputs:** Speakon™ 4 (x 3), Stereo 1 Band / Connector
- Trim Controls:** +/- 3 dB for HF, LF
+/- 6 dB for Subwoofer
- Crossover Points:** ~125 Hz and ~1300 Hz (3 way mode)
~1200 Hz (2 way mode)



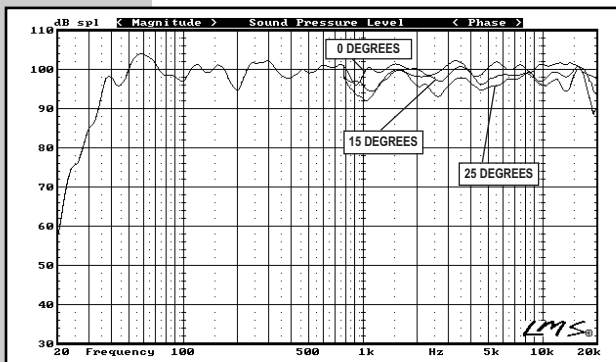
TX4P - Back



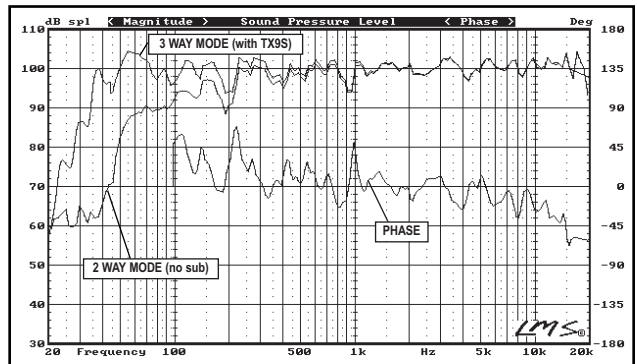
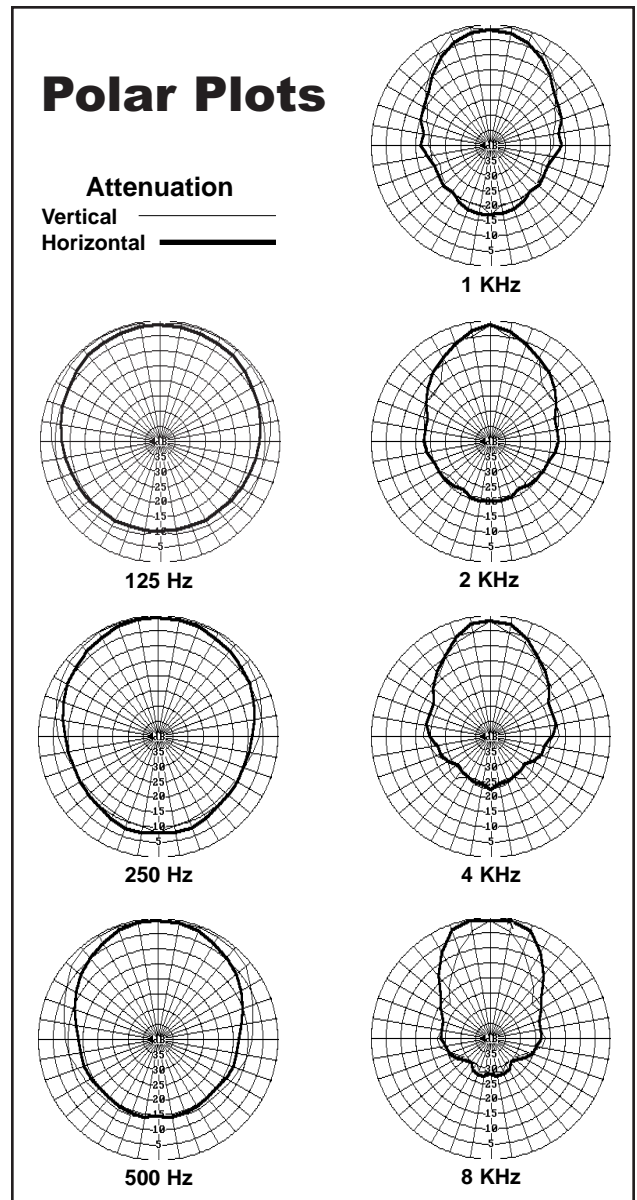
TX4P - Front



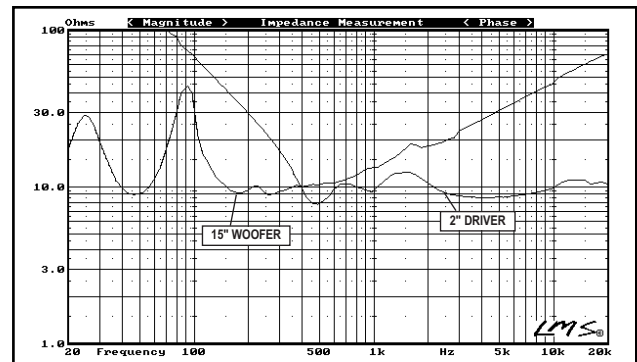
ATM Flyware™



Horizontal Off-Axis Frequency Response



Frequency Response



Impedance